

# 1 hr fire rated, 30Rw, Single leaf, Acoustic/Smoke/Fire doorset

## DESCRIPTION

Pyropanel AS-30-PAN is a 30 Rw, 1 hour fire rated 48mm nominal single leaf acoustic doorset that utilises an approved concealed or exposed frame-mounted perimeter seal and an approved bottom seal.

## APPLICATIONS

Ideal for unit entry applications or anywhere that requires 60 minutes of fire resistance and an acoustic rating of 30 Rw.

## FEATURES

### Acoustic Rating

- 30 Rw

### Fire Resistance

- FRL -/60/30

### Smoke Resistance

- Meet the NCC requirement for a smoke door.

### Door Configuration

- Single leaf hung in a steel or timber frame.

### Thickness

- 48mm (nominal).

### Door Weight

- Approx 21 kg/m<sup>2</sup>

### Size

- Maximum Size - 2420 x 1020 or 2200 x 1120 (-/60/30)

### Hinges

- Minimum 3 steel hinges.

### Frame

- Pyropanel KDHW timber or filled steel frame.

### Finish

- MDF as standard.

### Perimeter Seals

- See seal combinations listed on page 2.

### Bottom Seals

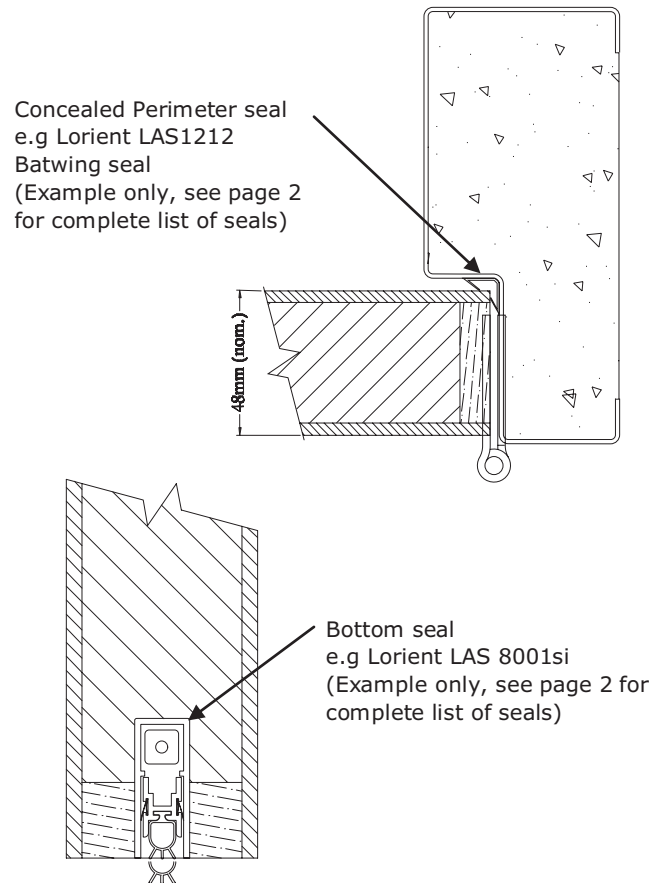
- See seal combinations listed on page 2.

## OPTIONAL EXTRAS

- Pre-hung in steel or timber frame.
- Ply, Veneer, Steel or Laminate facings.
- Vision panels - 300 x 200mm or 600 x 100mm nom.
- Kick Panels of 1mm Stainless Steel to selected height.

## INSTALLATION

Door frame must be tightly sealed against wall structure using Pyropanel Pyroseal fire and acoustic sealant. Steel door frames require filling with fire rated plasterboard, Pyropanel light weight M4 mortar, concrete or mortar to achieve the desired acoustic rating.



## HOW TO SPECIFY

"Door to be a Pyropanel AS-30-PAN acoustic door with -/60/30\* FRL, installed into a Pyropanel Fire rated timber / filled steel\* door frame, with Lorient LAS1212\* and Lorient LAS8001si\* seals".

\* denotes example - delete, change or specify as required

# 1 hr fire rated, 30Rw, Single leaf, Acoustic/Smoke/Fire doorset

## SEAL COMBINATIONS

| Door Type | Perimeter Seals                                 | Bottom Seals   |
|-----------|---|--|
| AS-30-PAN | Lorient LAS1212 or LAS1812<br>(Concealed seals) | Lorient LAS8001si  |
|           |   | Lorient LAS8002si  |
|           |   | Lorient LAS8003si  |
|           |   | Lorient LAS8005si  |
|           |   | Lorient LAS8006si  |
|           |   | Lorient LAS8007si  |
|           |   | Lorient LAS8008si  |
|           |   | Lorient LAS8009si  |
|           |   | Lorient LAS7001si or LAS7002si or LAS7003si or LAS7005si<br>or AAS7501si or AAS7503si<br>(Exposed frame-mounted seals) |
|           | Lorient LAS8002si                               |  |
|           | Lorient LAS8003si                               |  |
|           | Lorient LAS8004si                               |  |
|           | Lorient LAS8005si                               |  |
|           | Lorient LAS8006si                               |  |
|           | Lorient LAS8007si                               |  |
|           | Lorient LAS8008si                               |  |
|           | Lorient LAS8009si                               |  |

**ASSA ABLOY Australia Pty Ltd**  
 235 Huntingdale Rd, Oakleigh, Vic 3166  
 Ph: **(03) 9837 8500**  
 Email: [sales@pyropanel.com.au](mailto:sales@pyropanel.com.au)  
 Web: [www.pyropanel.com.au](http://www.pyropanel.com.au)

**Distributed by:**  
**Solwest Doors**  
 Ph: **(08) 9309 3899**  
 Email: [sales@solwest.com.au](mailto:sales@solwest.com.au)  
 Web: [www.solwest.com.au](http://www.solwest.com.au)

