

ASSA ABLOY

2 hr fire rated, 33 Rw, Single leaf, Acoustic/Smoke/Fire doorset

DESCRIPTION

Pyropanel AS-33-FRB-E is a 33 Rw, 2 hour fire rated 48mm nominal single leaf acoustic doorset that utilises a Pyropanel Euroseal concealed perimeter seal and an approved bottom seal.

APPLICATIONS

Ideal for applications that require 2 hours of fire resistance and an acoustic rating of 33 Rw, such as warehouses, factories and fire escapes.

FEATURES

Acoustic Rating

- 33 Rw.

Fire Resistance

- FRL -/120/30

Smoke Resistance

- Meets the NCC requirement for a smoke door

Door Configuration

- Single leaf, hung in a steel frame.

Thickness

- 50mm (nominal)

Door Weight

- Approx 39 kg/m²

Size

- Maximum Size - 2700 x 1500mm (For Masonry, Concrete, Hebel and Plasterboard Walls)
- For other wall types, please contact your preferred Pyropanel licensees.

Frame

- Pyropanel steel frame (filled).

Finish

- Steel as standard.

Seals

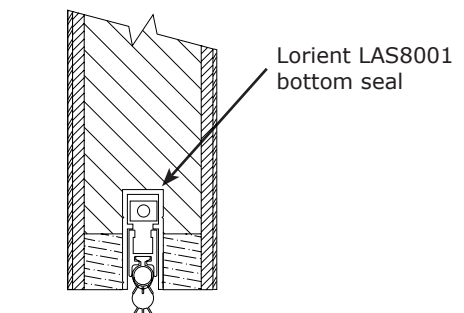
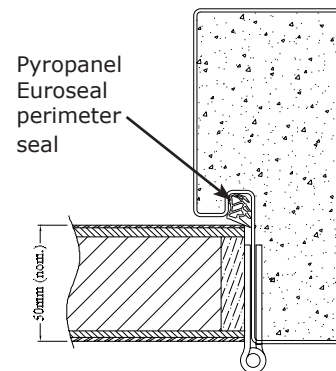
Door Type	Perimeter	Bottom	Rw
AS-33-FRB-E	Pyropanel Euroseal	Lorient LAS8001	33

OPTIONAL EXTRAS

- Pre-hung in steel frame.
- Pyropanel Pyrodur 13mm thick vision panels - 300 x 200 or 600 x 100mm nom. (Rw38)
- Kick Panels of 1mm Stainless Steel to selected height.

INSTALLATION

Door frame must be tightly sealed against wall structure using Pyropanel Pyroseal sealant. Steel door frames require filling with fire rated plasterboard, Pyropanel light weight M4 mortar, concrete or mortar to achieve desired acoustic and fire rating.



HOW TO SPECIFY

"Door to be a Pyropanel AS-33-FRB-E* acoustic door, -/120/30* FRL, installed into a filled Euroseal steel door frame"

* denotes example - delete, change or specify as required.

ASSA ABLOY AUSTRALIA Pty Ltd

235 Huntingdale Rd, Oakleigh, Vic 3166

Ph: **(03) 9837 8500**

Email: sales@pyropanel.com.au

Web: www.pyropanel.com.au

Distributed by:

Solwest Doors

Ph: **(08) 9309 3899**

Email: sales@solwest.com.au

Web: www.solwest.com.au

SOLWEST
DOORS