

# ASSA ABLOY

## 38 Rw, Single leaf, Acoustic Doorset (not fire rated)

### DESCRIPTION

Pyropanel AS-38-PAC is a single leaf, 38 Rw acoustic doorset.

### APPLICATIONS

Ideal for applications that require an acoustic rating of 38 Rw.

### FEATURES

#### Acoustic Rating

- 38 Rw.

#### Smoke Resistance

- Doorset is fitted with smoke seals.

#### Door Configuration

- Single leaf, hung in a steel or timber frame.

#### Thickness

- 48mm (nominal)

#### Door Weight

- Approx 32 kg/m<sup>2</sup>

#### Size

- Maximum Size - 2340 x 1020mm.

#### Hinges

- Minimum 4 steel hinges.

#### Frame

- Pyropanel filled Euroseal steel frame (1.2 or 1.6mm), or Pyropanel Euroseal KDHW timber frame.

#### Finish

- MDF to both faces.

#### Seals

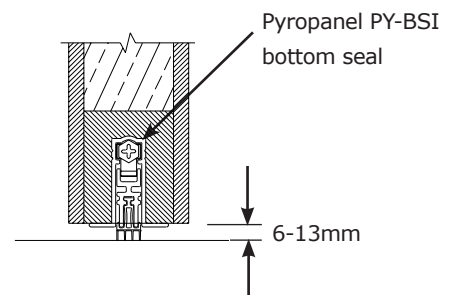
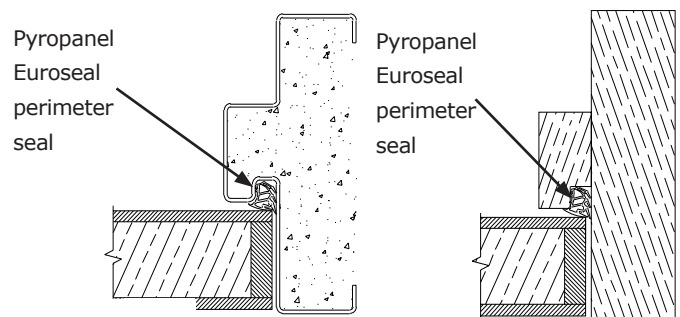
Door Type	Perimeter	Bottom	Rw
AS-38-PAC	Pyropanel Euroseal	Pyropanel PY-BSI	38

### OPTIONAL EXTRAS

- Pre-hung in steel or timber frame.
- Decorative veneers.
- Hardboard faces.
- Steel faces.
- Pyropanel 13mm thick Vision panels - 300 x 200 or 600 x 100mm nom.

### INSTALLATION

Door frame, Perimeter seal, Drop seal & Door leaf should be sourced from a Pyropanel Authorised Licensee as a complete set. Door frame must be tightly sealed against wall structure using Pyropanel Pyroseal acoustic sealant. Steel frames require filling with Pyropanel FR board or Pyropanel light weight M4 Mortar to achieve the acoustic rating.



### HOW TO SPECIFY

"Doorset to be a Pyropanel AS-38-PAC acoustic door installed into a steel/timber\* Euroseal frame".

\* denotes example - delete, change or specify as required

#### ASSA ABLOY Australia Pty Ltd

235 Huntingdale Road, Oakleigh Vic 3166

Ph: **(03) 9837 8500**

Email: [sales@pyropanel.com.au](mailto:sales@pyropanel.com.au)

Web: [www.pyropanel.com.au](http://www.pyropanel.com.au)

#### Solwest Doors

Ph: **(08) 9309 3899**

Email: [sales@solwest.com.au](mailto:sales@solwest.com.au)

Web: [www.solwest.com.au](http://www.solwest.com.au)