

ASSA ABLOY

1 hr fire rated, 46 Rw, Interconnecting, Acoustic/Smoke/Fire doorset

DESCRIPTION

Pyropanel AS-46-INTERCON is a 46 Rw, 1 hour fire rated interconnecting door leaf arrangement in a single frame, with perimeter and bottom seals.

APPLICATIONS

Ideal for rooms that require up to 1 hour of fire rating and an acoustic rating of 46 Rw.

FEATURES

Acoustic Rating

- 46 Rw

Fire Resistance

- /60/30

Smoke Resistance

- Meets the NCC requirement for a smoke door.

Door Configuration

- Two doors in a single frame (interconnecting).

Thickness

- Both doors 48mm nom.

Door Weight

- Both doors approx 22 kg/m²

Size

- Maximum size - 2400 high x 1200mm wide.

Frame

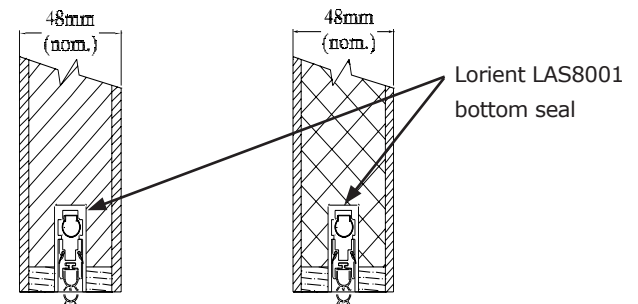
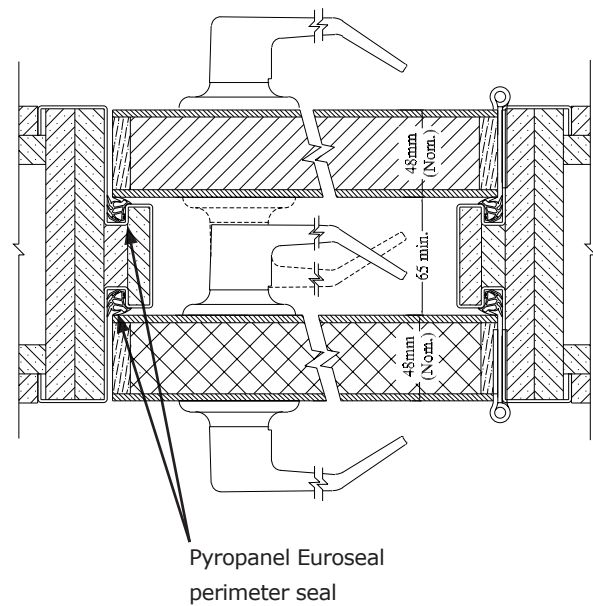
- Double rebated KDHW timber or steel door frame designed to receive one door on each side. The separation distance between the leaves is 65mm (minimum).

Seal combination:

Door Type	Perimeter	Bottom	Rw
AS-46-INTERCON	Euroseal	LAS8001	46

INSTALLATION

Door frame must be tightly sealed against wall structure using Pyropanel Pyroseat fire and acoustic sealant. Steel door frames will require filling with fire rated plasterboard, Pyropanel light weight M4 Mortar, concrete or mortar to achieve the desired acoustic rating. Internal door hardware must be offset to prevent any clashing when both leaves are closed.



HOW TO SPECIFY

"Door to be a Pyropanel AS-46-INTERCON acoustic interconnecting doorset, installed into a Pyropanel fire-rated timber / filled steel* door frame".

* denotes example - delete, change or specify as required

ASSA ABLOY Australia Pty Ltd
 235 Huntingdale Road Oakleigh Vic 3166
 Ph: (03) 9837 8500
 Email: sales@pyropanel.com.au
 Web: www.pyropanel.com.au

Distributed by:
Solwest Doors
 Ph: (08) 9309 3899
 Email: sales@solwest.com.au
 Web: www.solwest.com.au

