

TIMBER GLASS FIRE DOORSETS

DESCRIPTION

Glazed Timber Fire doorset utilising the latest Pyropanel fire resistant door core and design technology combined with Pilkington insulating fire rated glass, these doors are approved to AS1530.4:2014, and are available in a variety of sizes and finishes for 1 hour fire resistance levels.

APPLICATIONS

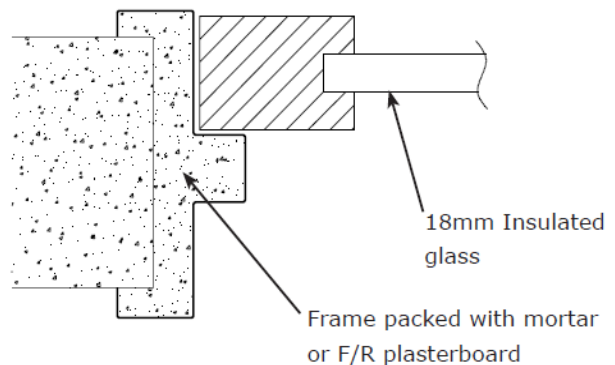
Ideal for most applications that require a certified fire door with the added safety and benefits of fire resistant glass, especially in hospitals, schools, car parks, shopping centres, offices, residential complexes, public buildings etc.

FEATURES

- Half-Lite configurations.
- For use in plasterboard stud walls & masonry/concrete walls.
- Paint grade Ply facings as standard.
- Half-Lite available in singles or pairs.
- Incorporates 18mm Pilkington Pyrostop™ fire rated glass with class-A impact resistance.
- Suitable for Pyropanel fire rated steel door frames with 25mm doorstop, or Pyropanel one hour fire rated timber door frame with 20mm doorstop.
- Doors weigh approx 35kg/m² (Half-Lite).

OPTIONAL EXTRAS

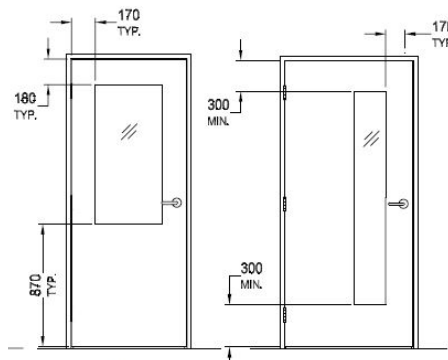
- MDF or Ply facings
- Pre-hung in frame (Check availability with your preferred Pyropanel licensed distributor)
- Acoustic options available, see table on page 2 for seal combinations.



MODELS AVAILABLE

Model	Type	FRL	Thickness (nom.)	Max Leaf size - Single	Max Leaf size - Pair
PG1FD060-52	Half-Lite	-/60/30	52	2400 x 920*	2400 x 920*

* Also available as 2100 x 1200



Half-lite

HOW TO SPECIFY

Eg, "Door to be a Pyropanel PG2FD060-52* Half-Lite Glass Fire Door, 52mm* thick, -/60/30 FRL, Ply faced*, mounted in Pyropanel filled steel door frame*.

* denotes example - delete, change or specify as required

ASSA ABLOY Australia Pty Ltd

235 Huntingdale Rd, Oakleigh, Vic 3166
 Ph: **(03) 9837 8500**
 Email: sales@pyropanel.com.au
 Web: www.pyropanel.com.au

Distributed by:

Solwest Doors
 Ph: **(08) 9309 3899**
 Email: sales@solwest.com.au
 Web: www.solwest.com.au



FIRE DOOR LEAVES

Timber glass fire doors

ACOUSTIC DATA

Model	Door	Door Configuration	Perimeter seal	Bottom Seal	Meeting Stile seals	Rw
PG1FD060-52	Half-Lite	Single	Pyropanel Euroseal	Lorient LAS8001si	N/A	32
		Pair	Pyropanel Euroseal	Lorient LAS8001si	Pyropanel J-section with fin seal	31

ASSA ABLOY Australia Pty Ltd

235 Huntingdale Rd, Oakleigh, Vic 3166

Ph: **(03) 9837 8500**Email: sales@pyropanel.com.auWeb: www.pyropanel.com.au**Distributed by:****Solwest Doors**Ph: **(08) 9309 3899**Email: sales@solwest.com.auWeb: www.solwest.com.au