

ASSA ABLOY

42 Rw, Pair leaf, Acoustic Doorset (not fire rated)

DESCRIPTION

Pyropanel AP-PAC-A is a pair leaf, acoustic doorset.

APPLICATIONS

Ideal for applications that require acoustic ratings of up to 42 Rw in a pair leaf configuration.

FEATURES

Acoustic Rating

- Up to 42 Rw (see table below for seal combinations)

Smoke Resistance

- Doorset is fitted with smoke seals.

Door Configuration

- Pair leaf.

Thickness

- 73mm-78mm nom. (depending on the facing thickness)

Door Weight

- Approx 53 kg/m²

Size

- Maximum door size - 2340 high x 1020/1020mm wide

Frame

- Pyropanel filled Euroseal steel frame (1.6mm), or
Pyropanel Euroseal KDHW timber frame.

Finish

- MDF or Hardboard to both faces.

Seal combinations:

Door Type	Perimeter Seal	Bottom Seal	Corner Seal	Meeting stile Seal	Rw
AP-PAC-A1	Euroseal	PY-BSI	-	PY-MS1	39
AP-PAC-A2	Euroseal	PY-BSI	PY-CS1	PY-MS1	40
AP-PAC-A3	Euroseal + Lorient LAS7001si	PY-BSI	PY-CS1	PY-MS1	42

Note: See Page 2 for drawings of the seal combinations listed in the above table

OPTIONAL EXTRAS

- Decorative veneers.
- Pyropanel 13mm thick vision panels - 300 x 200mm or 600 x 100mm nom. Glass rated to 38 Rw. Note - the inclusion of a vision panel will cause a slight reduction in acoustic rating.

INSTALLATION

Door frame, door seals and door leaf should be sourced from a Pyropanel Authorised Licensee as a complete set. Door frame must be tightly sealed against wall structure using Pyropanel Pyroseal acoustic sealant. Steel frames require filling with Pyropanel FR board (for up to 40 Rw) or Pyropanel light weight M4 Mortar (for up to 42 Rw) to achieve the acoustic rating.

HOW TO SPECIFY

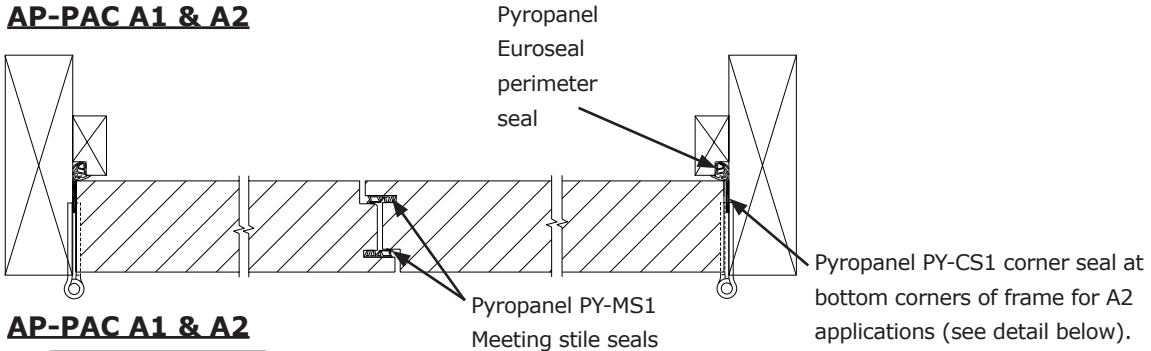
"Door to be a Pyropanel AP-PAC-A1* acoustic door installed into a steel/timber Pyropanel Euroseal frame*".

* denotes example - delete, change or specify as required

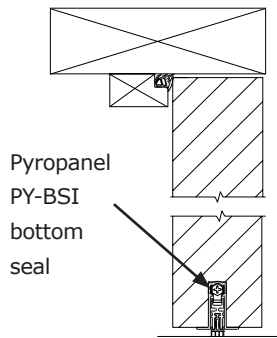
ASSA ABLOY

42 Rw, Pair leaf, Acoustic Doorset (not fire rated)

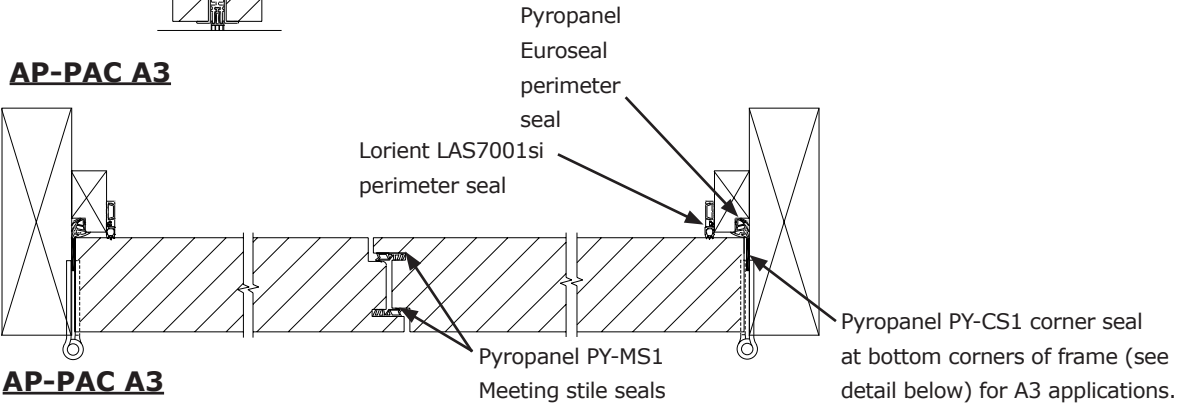
AP-PAC A1 & A2



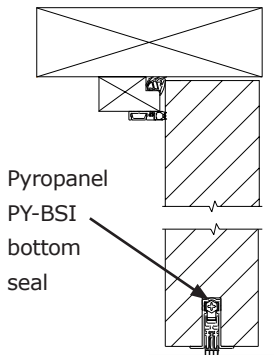
AP-PAC A1 & A2



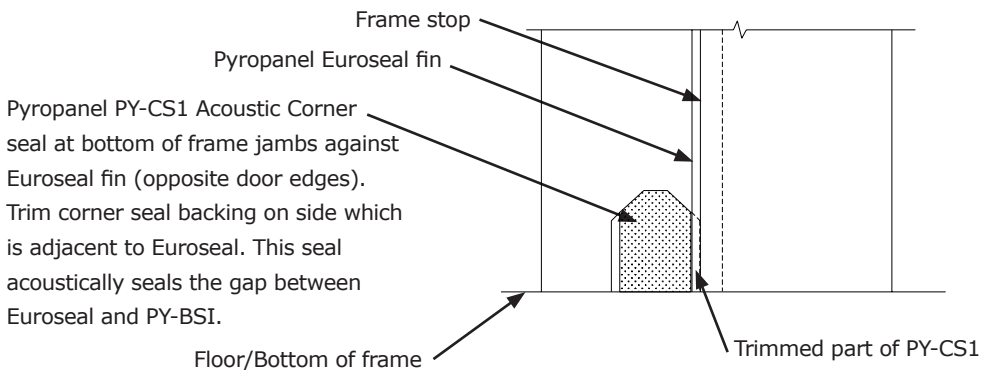
AP-PAC A3



AP-PAC A3



AP-PAC A2 & A3 Corner seal detail



ASSA ABLOY Australia Pty Ltd
 235 Huntingdale Rd, Oakleigh, Vic 3166
 Ph: (03) 9837 8500
 Email: sales@pyropanel.com.au
 Web: www.pyropanel.com.au

Distributed by:
Solwest Doors
 Ph: (08) 9309 3899
 Email: sales@solwest.com.au
 Web: www.solwest.com.au

