

ASSA ABLOY

2 hr fire rated, 31 Rw, Single leaf, Acoustic/Smoke/Fire doorset

DESCRIPTION

Pyropanel AS-31-FRB-E is a 31 Rw, 2 hour fire rated 48mm nominal single leaf acoustic doorset that utilises a Pyropanel Euroseal concealed perimeter seal and an approved bottom seal.

APPLICATIONS

Ideal for applications that require 2 hours of fire resistance and an acoustic rating of 31 Rw, such as hospitals, warehouses and fire escapes.

FEATURES

Acoustic Rating

- 31 Rw.

Fire Resistance

- FRL -/120/30

Smoke Resistance

- Meets the NCC requirement for a smoke door.

Door Configuration

- Single leaf, hung in a steel frame.

Thickness

- 48mm (nominal)

Door Weight

- Approx 23 kg/m²

Size

- Maximum size - 2700 x 1500mm (For Masonry, Concrete, Hebel and Plasterboard Walls)
- For other wall types, please contact your preferred Pyropanel distributor.

Frame

- Pyropanel filled steel frame.

Finish

- Plywood / MDF / Hardboard

Seals

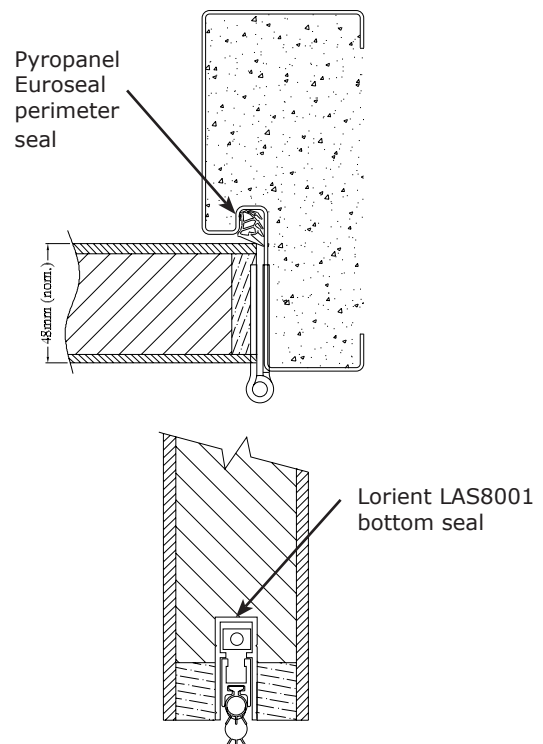
Door Type	Perimeter	Bottom	Rw
AS-31-FRB-E	Pyropanel Euroseal	Lorient LAS8001si	31

OPTIONAL EXTRAS

- Pre-hung in steel or timber frame.
- Approved Veneer, Steel or Laminate facings.
- Pyropanel Pyrodur 13mm thick vision panels - 300 x 200 or 600 x 100mm nom. (Rw38)
- Kick Panels of 1mm Stainless Steel to selected height.
- Note: Fire rating may be reduced by some of the optional extras. Contact your preferred distributor for clarification.

INSTALLATION

Door frame must be tightly sealed against wall structure using Pyropanel Pyroseal sealant. Steel door frames require filling with fire rated plasterboard, Pyropanel light weight M4 Mortar, concrete or mortar to achieve the desired acoustic and fire rating.



HOW TO SPECIFY

"Door to be a Pyropanel AS-31-FRB-E Acoustic door with -/120/30* FRL, installed into a filled steel door frame".

* denotes example - delete, change or specify as required